



Sage Grande: HPE Blade Setup for Remote OS Installation

support@sagecontinuum.org, Version 1.0

May 2026

Overview

This guide provides step-by-step instructions for cabling, powering, and networking the HPE blade and router used in a Sage Grande deployment for *OS installation and provisioning*. It covers the required WAN and management connections, and the final checks needed to confirm that the blade is ready for remote provisioning.

Installation Instructions

Step 1 — Identify the Hardware Ports

Before cabling the system, identify the following components and ports:

- Router [3, 4]
 - Internet uplink/WAN port
 - Numbered LAN Ethernet ports
- HPE blade [2]
 - iLO/OOB management port for remote management [1]
 - WAN port for internet and cloud connectivity

Figure 1 shows the expected cable layout between the router and the HPE blade. The iLO connection facilitates remote management, the WAN connection provides internet access for cloud communication and remote administration, and the LAN port is reserved for optional local sensors or edge devices on a private subnet.

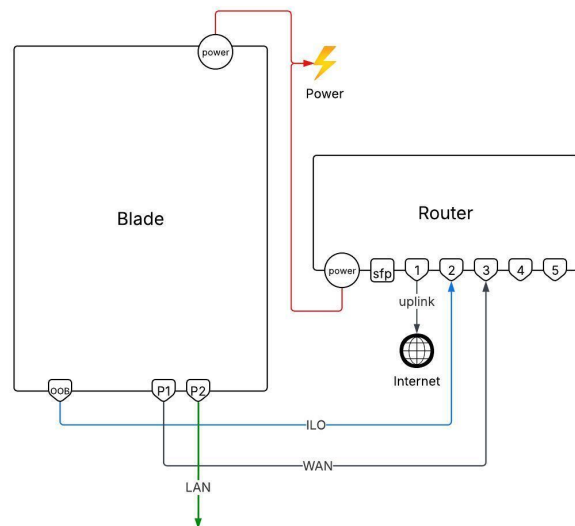
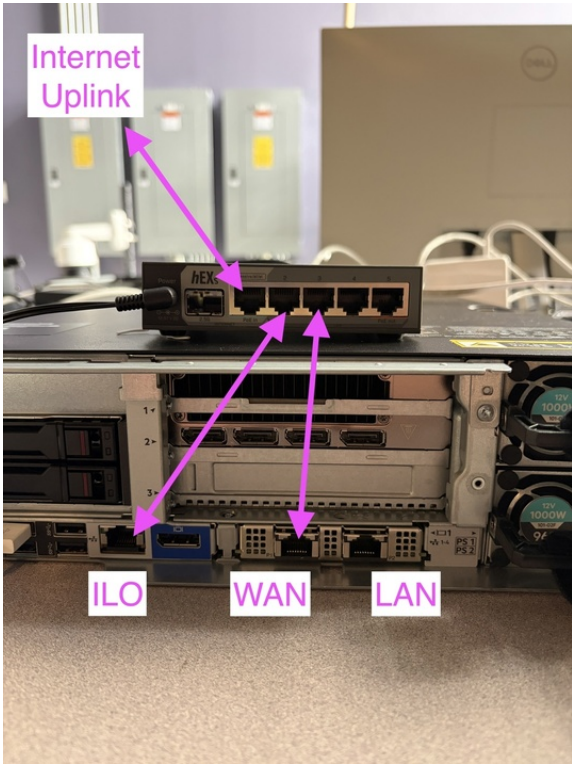


Figure 1: Expected wiring layout for the router and HPE blade.



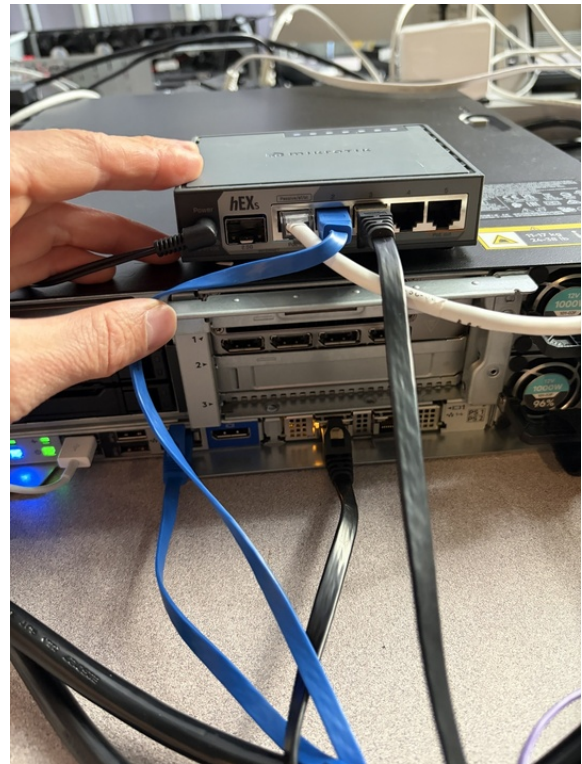
(a) Router and HPE blade port layout.



(b) Router uplink connection using the white cable.



(c) HPE blade iLO connection to the router using the blue cable.



(d) Final cable connections, including the HPE blade WAN connection to the router.

Figure 2: Step-by-step cable connection diagram for the router and HPE blade.

Step 2 — Connect Power

1. Connect power to the HPE blade.
2. Connect power to the router.
3. Verify that both devices power on successfully.

Allow the router to complete its boot process before connecting the network cables (Figure 2-a).

Step 3 — Connect the Internet Uplink to the Router

Using an Ethernet cable (Figure 2-b):

1. Provide internet connection to the router uplink/WAN port, shown as port 1 in Figure 1. This port is configured for DHCP addressing.
2. Confirm that the uplink LEDs illuminate and that internet connectivity is available.

This connection provides outbound internet access for the SGT blade.

Step 4 — Connect the iLO Management Port

Using a separate Ethernet cable (Figure 2-c):

1. Locate the iLO management port on the HPE blade, shown as port OOB in Figure 1.
2. Connect the iLO port to another router LAN port, shown as ports 2–5 in Figure 1.

The iLO connection provides a dedicated out-of-band management path for:

- Remote power management
- Remote console access
- Hardware monitoring
- Low-level system administration

This management connection is separate from the WAN interface, and is instrumental in remote provisioning. The iLo interface uses DHCP by default, and is managed by the router.

Step 5 — Connect the HPE Blade WAN Port

Using an Ethernet cable (Figure 2-d):

1. Locate the WAN port on the rear of the HPE blade, shown as port P1 in Figure 1.
2. Connect the HPE blade WAN port to one of the router LAN ports, shown as ports 2–5 in Figure 1.

This is the primary operational network connection for the blade. It is used for:

- Cloud communication
- Data uploads
- VPN connectivity
- Remote administration
- Software updates

The WAN interface uses DHCP by default, and is managed by the router.

Step 6 — Verify Final Cabling

After completing the wiring, please verify that the setup includes the following connections:

Connection	Purpose	Reference
Router uplink → Internet	External connectivity	Figure 2b
HPE blade WAN → Router LAN	Cloud and data connectivity	Figure 2d
HPE blade iLO → Router LAN	Out-of-band management	Figure 2c

Table 1: Each connection is mapped to its operational role: external uplink, primary cloud/data path, and isolated management channel.

Please confirm that the link/activity LEDs are active on all connected ports on both the router and the HPE blade. Once the setup is complete, please contact the SGT team at support@sagecontinuum.org with the router number and/or MAC address so that we can proceed with the provisioning process.

SGT Contact Information

- General and technical support: support@sagecontinuum.org

The latest version of this manual is available at:

<https://sagecontinuum.org/docs/category/installation-manuals>



References

- [1] Hewlett Packard Enterprise. HPE Integrated Lights-Out (iLO). <https://www.hpe.com/us/en/hpe-integrated-lights-out-ilo.html>, 2026.
- [2] Hewlett Packard Enterprise. HPE ProLiant DL385 Gen11. <https://www.hpe.com/us/en/compute/hpe-proliant-compute/dl385-gen11.html>, 2026.
- [3] MikroTik. hEX S Ethernet Router. https://mikrotik.com/product/hex_s, 2026.
- [4] Ubiquiti Inc. EdgeRouter X SFP (ER-X SFP). <https://store.ui.com/us/en/products/er-x-sfp>, 2026.